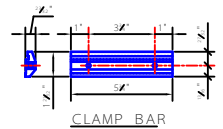
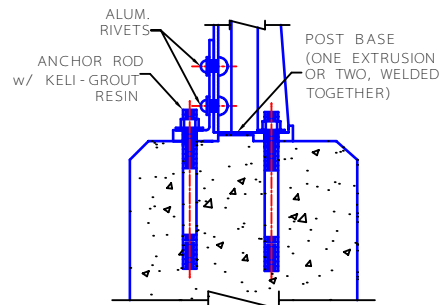
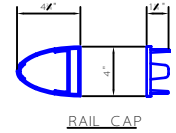
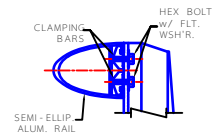
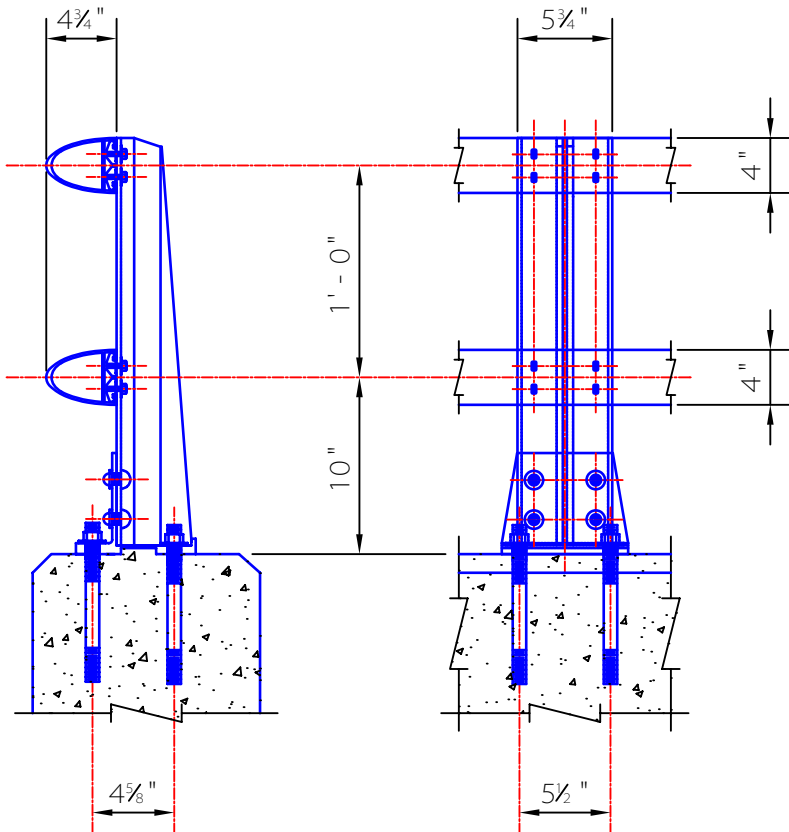


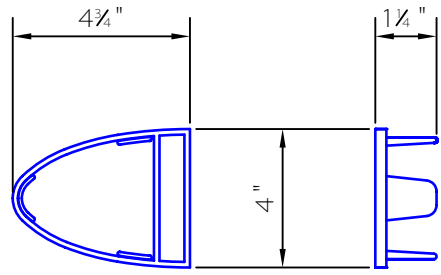
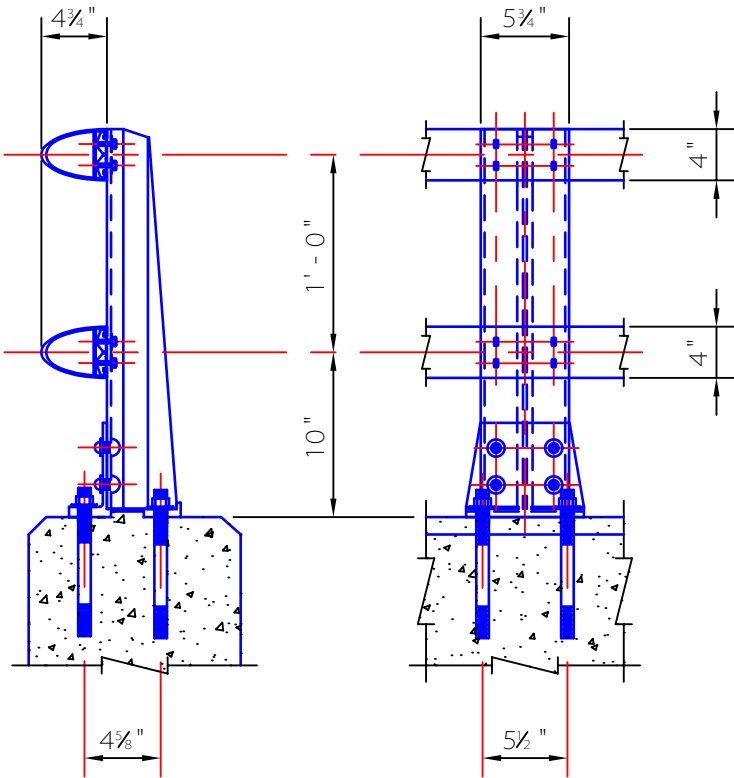
MATERIAL SPECIFICATIONS:
POST BASE: ALUMINUM A.S.T.M. B221, ALLOY 6061-T6.
ALUMINUM RIVETS: A.S.T.M. B316, ALLOY 6061-T6.
RAIL & SPLICES: EXTRUDED ALUMINUM A.S.T.M. B221, ALLOY 6061-T6.
RAIL HARDWARE: BOLT A.S.T.M. F593 TYPE 304. FLAT WASHERS A.S.T.M. F844, GALVANIZE PER A153.
ANCHOR HARDWARE: THREADED ROD, A.S.T.M. A276, TYPE 304. STAINLESS STEEL HEX NUT, A.S.T.M. F594, TYPE 304. STAINLESS STEEL FLAT WASHER, A.S.T.M. F844, TYPE 304.



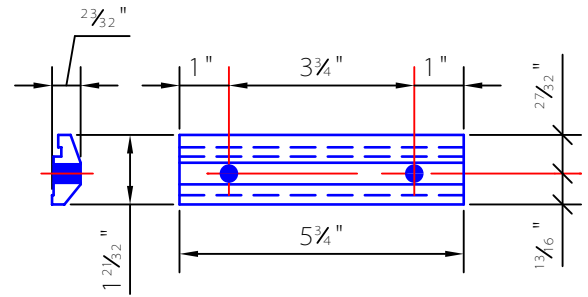
L. B. FOSTER COMPANY
 1016 GREENTREE ROAD
 PITTSBURGH, PA. 15220

BRIDGE RAIL SYSTEM FOR:
 NORTH CAROLINA

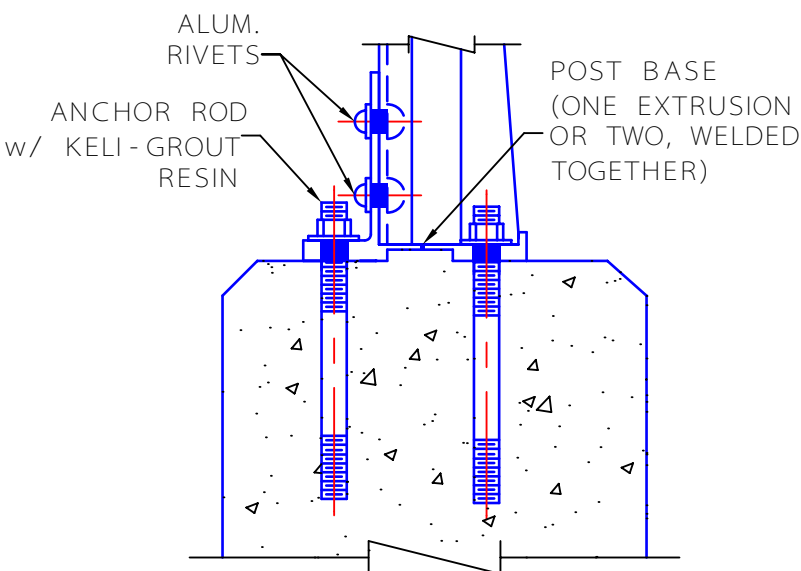
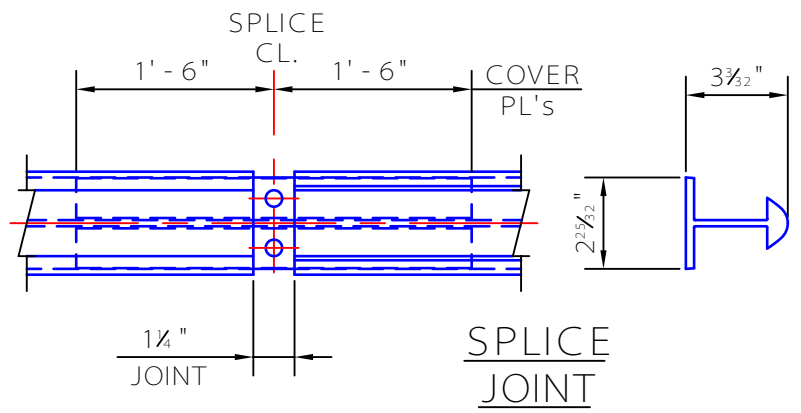
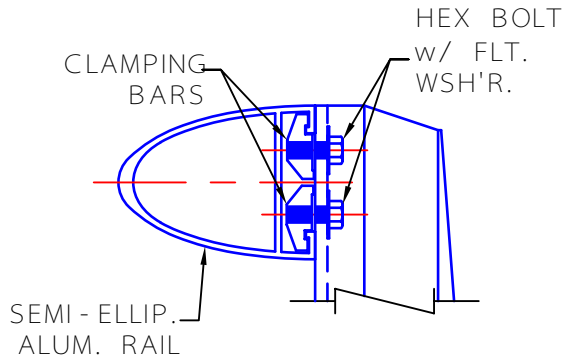
STYLE:	FABRICATED
TYPE:	2 - LINE
MATERIAL:	ALUMINUM



RAIL CAP



CLAMP BAR



MATERIAL SPECIFICATIONS:
POST, BASE: ALUMINUM A.S.T.M. B221, ALLOY 6061-T6.
ALUMINUM RIVETS: A.S.T.M. B316, ALLOY 6061-T6.
RAIL & SPLICES: EXTRUDED ALUMINUM A.S.T.M. B221, ALLOY 6061-T6.
RAIL HARDWARE: BOLT A.S.T.M. F593 TYPE 304. FLAT WASHERS A.S.T.M. F844, GALVANIZE PER A153.
ANCHOR HARDWARE: THREADED ROD, A.S.T.M. A276, TYPE 304. STAINLESS STEEL HEX NUT, A.S.T.M. F594, TYPE 304. STAINLESS STEEL FLAT WASHER, A.S.T.M. F844, TYPE 304.