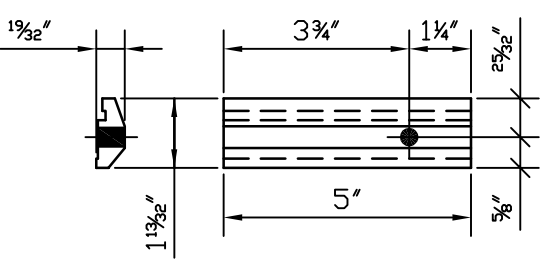
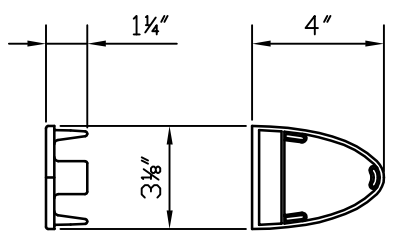
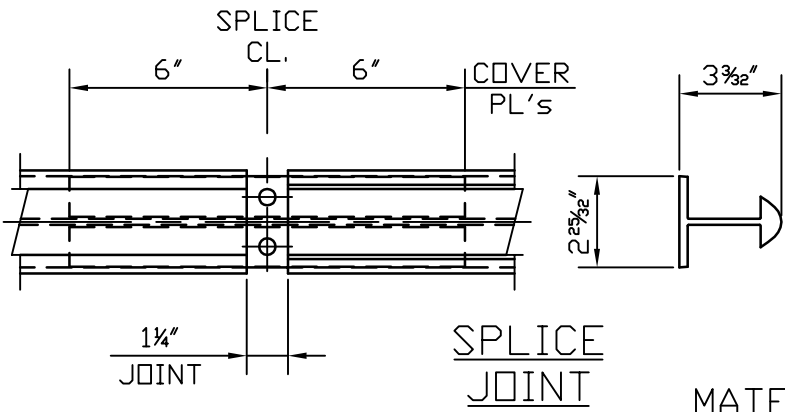
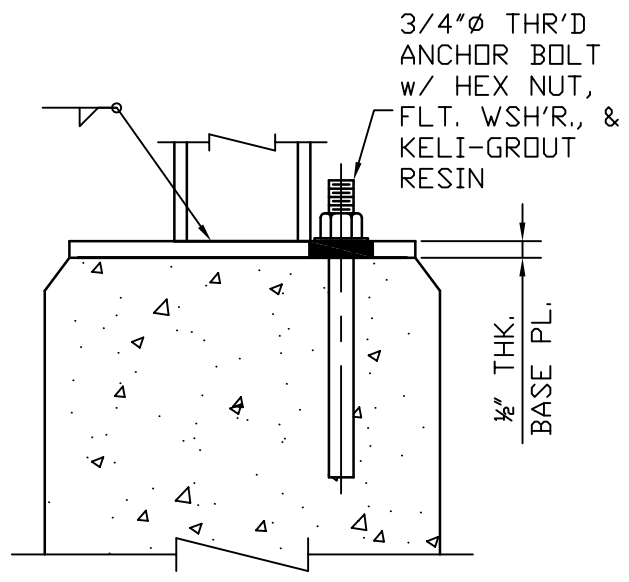
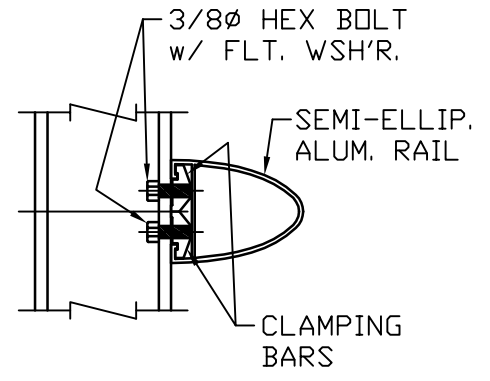
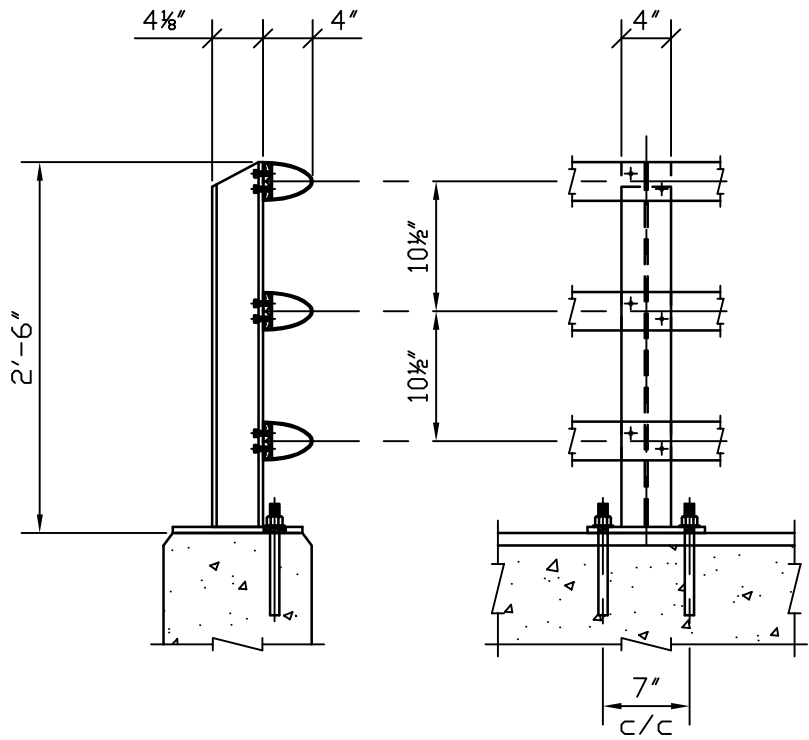


L. B. FOSTER COMPANY
 1016 GREENTREE ROAD
 PITTSBURGH, PA. 15220

BRIDGE RAIL SYSTEM FOR:
WEST VIRGINIA

STYLE:	FABRICATED
TYPE:	3-LINE
MATERIAL:	ALUMINUM



MATERIAL SPECIFICATIONS:

- POST: FABRICATED ALUMINUM A.S.T.M. B221, ALLOY 6061-T6.
- RAIL: EXTRUDED ALUMINUM A.S.T.M. B221, ALLOY 6061-T6.
- RAIL SPLICE & CLAMP BAR: ALUMINUM A.S.T.M. B221, ALLOY 6061-T6.
- END CAP: CAST ALUMINUM A.S.T.M. B26, ALLOY 356-F.
- RAIL HARDWARE: (2) 3/8"Ø HEX HEAD CAP SCREW, STAINLESS STEEL A.S.T.M. F593, ALLOY TYPE 304. (2) 7/8"O.D. x 13/32" I.D. x .062" THICK ALUMINUM FLAT WASHERS, A.S.T.M. B209, ALCLAD 2024-T4.
- ANCHOR HARDWARE: (4) 3/4"Ø FULLY THREADED ROD, A.S.T.M. A36, GALVANIZED PER A153. (4) HEX NUT, A.S.T.M. A563, GALVANIZED PER A153. (4) FLAT WASHER, A.S.T.M. F436, GALVANIZED PER A153.

RAIL CAP

CLAMP BAR